


weiskopf engineering

**CO₂-Engineering – when things become complex,
we make your life easy!**

Planning & Delivery of CO₂-plants





We are your professional partner to successfully manage projects in the field of CO₂-plant construction. We are your one-stop-shop and offer tailor-made solutions for your project, including production, construction, implementation as well as the supply of spare parts.

Our projects – best in class quality – globally, since 1999.

About us

Head of the company is Dr.-Ing. Hans Joachim Weiskopf, responsible for outstanding success in the field of Technical Gases, especially in CO₂ since more than 35 years. He has access to a professional team of engineers and tradesmen, guaranteeing a qualified planning and execution of global projects.



What we stand for:

- ✓ Proficient planning and execution of global projects
- ✓ We set quality standards – since 1999
- ✓ Detailed documentation of your plant



Milestones

Thanks to our extensive experience we are your strong partner in the field of plant engineering



2013

CO₂-production plant

Knowledge transfer and extended basic-engineering for the construction of a CO₂-production plant to a U.S. American company.



2007

CO₂-recovery plant

Knowledge transfer and extended basic-engineering for the construction of a 20/10t/h CO₂-recovery plant to a considerable gas-company abroad.



2000

Extension of our service portfolio

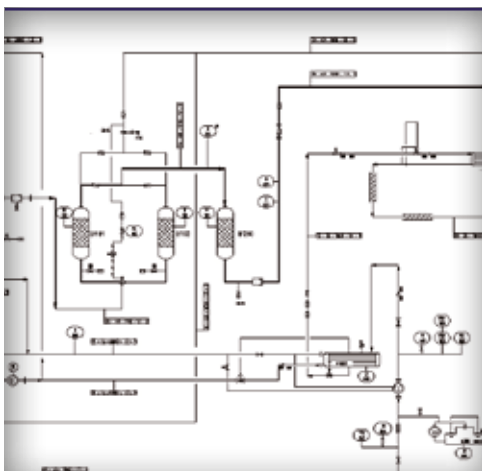
Additional service to supply spare parts to our customers for CO₂-plants. Supply of the first components for CO₂-plants.



1999

Establishment of Weiskopf Engineering

Back in 1999 the company Weiskopf Engineering was established. Since then we plan projects around the globe in the field of CO₂-engineering. Start of business activities with consultancy, planning services as well as Installation- and Commissioning supervision.



1982

Doctor of Engineering sciences

The founder of Weiskopf Engineering, Mr. Dr.-Ing. Hans Joachim Weiskopf, achieves the doctoral level "Doctor of Engineering sciences".

Services



CO2-Engineering

Benefit from our extensive experiences in the field of plant design. We are happy to stand by your side, from the very first idea up to the implementation. From the first proposal to design, from calculation to bid evaluation, from drawing of single components to line planning, from Installation inspection to implementation – we are your one-stop-source for CO2-engineering.

If you plan to assemble a CO2-plant yourself and with your own staff on your own premises, we will provide you with our knowledge as well as extended basic-engineering or detail-engineering.



Installation and Commissioning of CO2-plants

We plan and organize Installation- and Commissioning requests globally. The execution of the Installation will be effected with our experts or by your own staff, depending on your wishes. We provide project supervision.



Production of CO2-plants

In cooperation with our partners we produce, supply and assemble single components, sections of plants or entire plants.

Wir liefern Ihnen:

- ✓ CO2-production plants
 - ✓ CO2-recovery plants
 - ✓ CO2-storage tanks
 - ✓ CO2-filling plants
 - ✓ CO2 evaporators
 - ✓ CO2-gas purification plants
 - ✓ Equipment
 - ✓ Spare parts
 - ✓ Service
-



Spare part supply for CO2-plants

Our support continues even after handing over the plant. Our detailed documentation ensures the identification of each needed spare part which we deliver around the world within the shortest possible leadtime.

We are active on a global scale, e.g. in Africa, America, Asia and Europe. If you are interested in more information, we are happy to provide you with our detailed project- and customer overview.



We offer you the full range of services in the field of CO₂-engineering including production, Installation and Commissioning and last but not least the supply of spare parts. We are happy to convince you of our extensive range of services. Try us!

Weiskopf Engineering
Owner: Dr.-Ing. Hans Joachim Weiskopf
Kantweg 1, D-53498 Bad Breisig

Tel.: +49 (0)2633 4756700
Email: info@weiskopf-engineering.de



www.weiskopf-engineering.de